

# Light Master Multifunction Switch

The Amico LightMaster multifunction switch is designed to improve the day to day experience of caregivers, patients, and visitors alike. With all the advancements in patient room lighting, Amico has made it simple to control the various types of lights required in the patient room. In a single gang space, the LightMaster controls Reading, Ambient, Exam, Night & Chart Lights within one or multiple light fixtures in the patient room.

The LightMaster keypad is designed as a hospital grade low voltage device to ensure that the highest level of safety measures are met. A mylar overlay is used on each keypad for ease of cleaning and durability to minimize infection control issues.



## Description:

The LightMaster switching system comes complete with a master control unit and two keypads.

The Master Control Unit is a programmed interface device capable of individual controls of up to five circuit loads. The unit is ultra-compact and requires only two wires from each keypad to control up to five light functions within one or multiple light fixtures.

Micro-Processor Technology allows the LightMaster to communicate between two keypads and the pillow speaker. This high level of intelligence allows you to turn on/off the light at the head of the bed and turn it on/off at the door.

The Reading and Ambient light controlled via the pillow speaker communicates with the LightMaster keypad. It can be turned on/off at any location in the patient room. This system is compatible with all nurse call manufacturers.

LED indicators on keypads in all locations illuminate to show you which light is being used.

## Key Features of the Keypad:

- Controls up to 5 light functions in the patient room
- LED indicators identify which light function is in use
- Keypads are low voltage for patient safety
- Compact design fits into a single gang opening
- Mylar Overlay for ease of cleaning and infection control
- Compatible with all manufactured nurse call products
- 5 year warranty

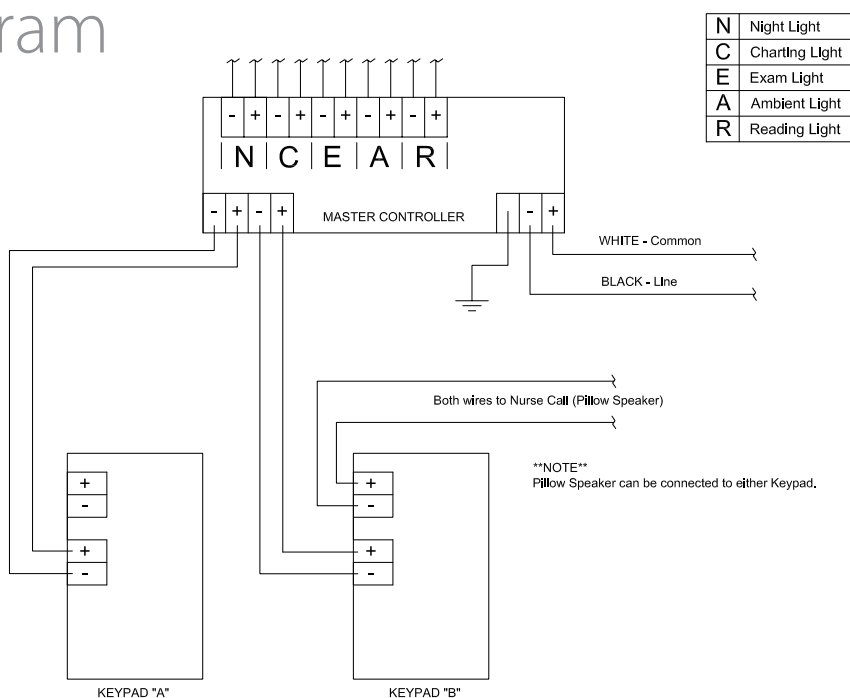
## Key Features of the Master Controller:

- Capable of individual control of up to 5 circuit loads
- Universal input voltage of 120 – 277v
- Terminal blocks allow for ease of connection
- Compact design fits inside most light fixtures

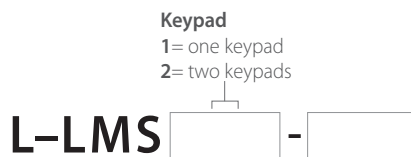
## Specifications:

- **Input Voltage:** 120v – 277v 50/60Hz
- **Output Voltage:** 120v – 277v 50/60Hz
- **Maximum Load:**  
1.5 Amps Resistive, 1.2 Amps Ballast at 120V  
0.65 Amps Resistive, 0.6 Amps Ballast at 277V
- **Low Voltage Circuit:** 5VDC, 150 mA
- **Operating Temperature:** 32 - 176 °F / 0 - 80°F
- **Master Control Dimensions:** L 5" x W 2" x H 1"
- **Keypad Dimensions:** Single Gang

## Wiring Diagram



## Configure Your Light Switch



**For Example: L-LMS2-4C**  
LightMaster, Dual Keypad, 4  
Function Switch, Reading, Ambient,  
Exam, Chart Light

**Light Functions**  
3Z = Three function switch (reading, ambient, exam)  
4N = Four function switch (reading, ambient, exam, night)  
4C = Four function switch (reading, ambient, exam, chart)  
5B = Five function switch (reading, ambient, exam, night & chart)