

Remote Controlled High Angle 60° Adjustable Lighting: **INFRALITE® 60**

2-150 Watt / High Output
LDRP • OB/GYN

Design: Inconspicuous, fully recessed
Use: Infrared remote or wall control for fast, accurate, single-hand adjustability

Function: Light may be directed up to 60° with 45° sweep; May be aimed at one or two targets

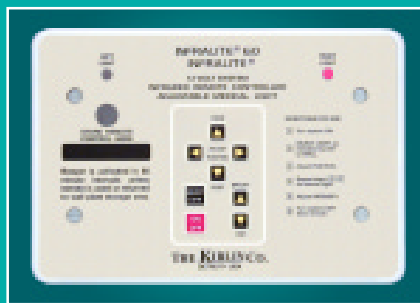
Performance: 7800 footcandles; 2-150W lamps per fixture for redundancy; Cool beam(s); 100% color rendering

2 LIGHT SYSTEM

1 LIGHT SYSTEM

INFRALITE® 60 RS01704

INFRALITE® 60 RS01705



Features (per luminaire)

Lamps and Sockets ①

- 2x150 watt 22 volt 100 CRI DCB base tungsten halogen lamps (included).
- 2 extra lamps provided.
- DCB sockets with Teflon® leads.

Reflectors ②

- 2 cold mirrored glass reflectors remove heat from the beam.

Motors and Mirror Module ③

- Two 12 volt permanently lubricated motors. Quiet. Easily serviced through trim.

Infrared Remote Control (one per lighting system) ④

- Controls power, direction and brightness.
- Emits unique frequency to avoid interfering with other infrared sensitive equipment.
- Loss-detering beeper reminds user to store remote on wall control module.

Wall Control Module (one per lighting system) ⑤

- Includes all tactile-membrane function controls (power, direction, brightness), electronics, infrared receiver and magnetic storage strip for remote control.

- UL/C-UL Listed back box provided. **Must be used** for proper fit of electronics.
- Less than 1 microamp current leakage from front of wall control panel.

Low Voltage Plenum Rated Cable ⑥

- Each luminaire provided with 35' low voltage (12 volt) plenum rated cable with RJ-45 plug-in connection to wall control.

Electronics with Power Supply ⑦

- All electronics located in aluminum box.
- All control wiring supplied by Kirlin is 12 volt maximum.
- Pre-connected plug-in modular electronics designed for easy maintenance.

Isolation Transformer ⑧

- WhisperPack™ fully encapsulated 120 to 22 volt step-down Class H isolation transformer. Fused (in J-box).

Housing and 2' x 2' Lay-in Pan ⑨

- Cool, quiet, long life. Silicone leads.
- Acrylic enameled aluminum: cool and rustproof - exceeds 1000 hour ASTM 5% salt spray test.
- Integral 2' x 2' grid lay-in pan. White.

- Entire luminaire serviced through removable trim assembly. Built-in plaster frame.

Trim Assembly ⑩

- Smooth regressed flare with tempered clear flat glass lens.

Junction Box (luminaire)

- Prewired 14 GA (NEC) galvanized steel. UL/C-UL listed. Contains fuse and holder.
- Removable insulated cover.

Installation

- Lightweight 58 pound fixture.
- Lay-in pan fits standard 2' x 2' grid ceilings. For other ceiling types consult factory.
- Per NEC (mandatory) by any qualified electrician.

- For seismic anchorage, see Option -SE.

Thermal Protection

- Per current NEC.

UL, C-UL (Canada) Listings

- Damp or dry locations, covered ceilings.
- Through branch circuit conductors (6#12).

Warranty

- Complete standard fixture and wall control, three years. (Lamps excluded)
- Remote control, one year.

UL, C-UL (Canada) Listed • Exclusive Three Year Warranty • Designed and Produced in U.S.A.

Options

The following Options are available for RS01704 or RS01705. Add Option as suffix to catalog number. Example: RS01704-58-BI.

- | | | |
|--|--|---|
| <ul style="list-style-type: none"> -10 Tinted lens instead; for color temperature above 3800°K. CRI and lumen output are reduced. -58 277/22 volt stepdown isolation transformer for 277 volt line input, prewired into each fixture; with 277 volt thermal protector. | <ul style="list-style-type: none"> -87 Low voltage plenum rated cable length greater than 35 feet. Consult factory. -94 Custom color self-flanged flare trim instead. Consult factory. -97 For other input supply voltages, consult factory. -99 Special modification. Consult factory. -BI Beeper (remote control) inactivated by factory. | <ul style="list-style-type: none"> -LX Extra lamps. Specify quantity in dozens. Note: One extra pair of lamps shipped per luminaire. -RC Extra remote control. -RS Remote sensor. Consult factory. -SE Fixture modified to accept seismic anchorage (by others). Meets CA, Uniform & International Building Codes. Consult factory. |
|--|--|---|

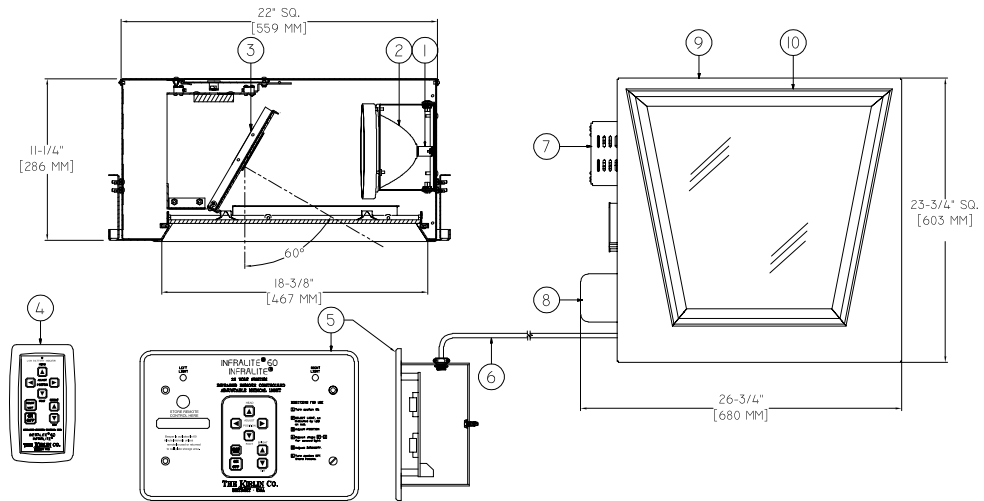
RS01704 2 LIGHT SYSTEM
 RS01705 1 LIGHT SYSTEM

Visit www.kirlinlighting.com
 for latest products, specifications and photometry

REMOTE CONTROLLED HIGH ANGLE ADJUSTABLE LIGHTING:
 INFRALITE® 60 - 2 x 150W / 22 VOLT LAMPS

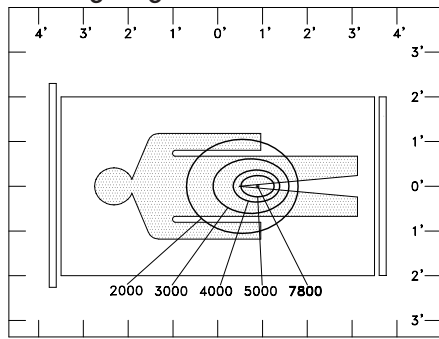
SECTION
 and
 PLAN VIEWS

NOT TO SCALE

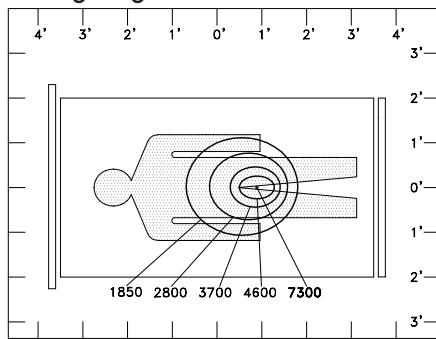


RS01704 - 6' Setback, 4' Spacing

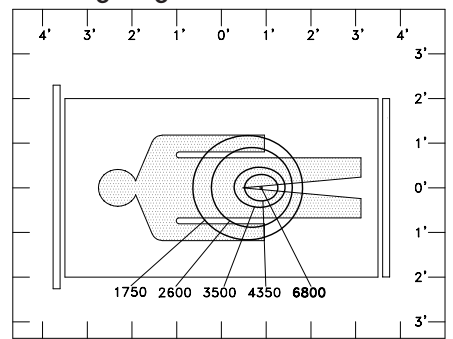
Ceiling Height: 8' • Work Plane: 3'6"



Ceiling Height: 8'6" • Work Plane: 3'6"

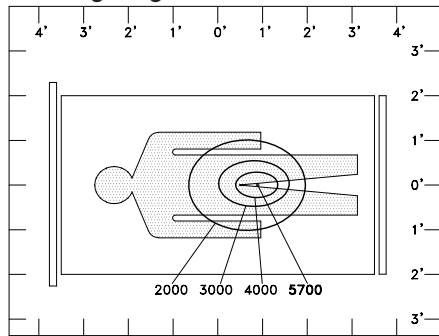


Ceiling Height: 9' • Work Plane: 3'6"

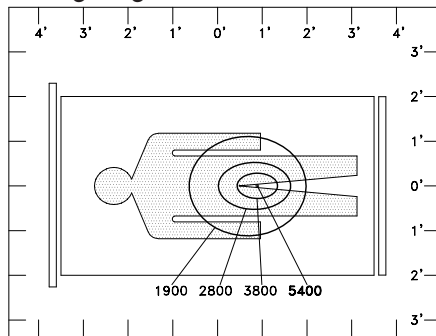


RS01704 - 8' Setback, 4' Spacing

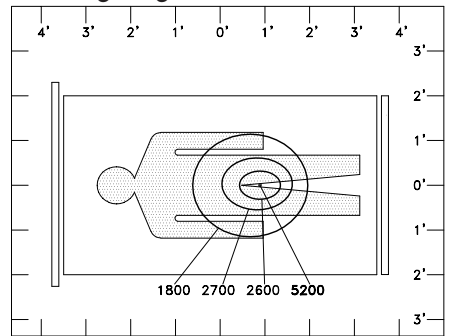
Ceiling Height: 8' • Work Plane: 3'6"



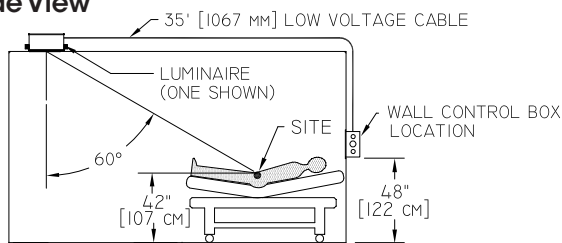
Ceiling Height: 8'6" • Work Plane: 3'6"



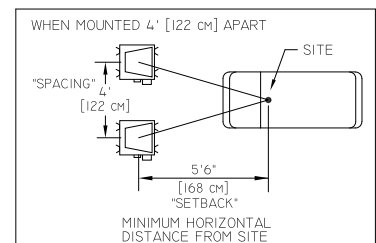
Ceiling Height: 9' • Work Plane: 3'6"



Typical Side View



Typical Top View



RS01704
 Shown

INFRALITE® 60

RS01704

Footcandle Performance

Data shown for 4' spacing, as shown in
 Typical Top View diagram for RS01704

	8' CEILING HEIGHT	8'6" CEILING HEIGHT	9' CEILING HEIGHT
6' SETBACK	7,800 fc @ 53°	7,300 fc @ 50°	6,800 fc @ 45°
8' SETBACK	5,700 fc @ 60°	5,400 fc @ 58°	5,200 fc @ 53°

INFRALITE® 60: Recessed Motorized Birthing Lights



Ohio State University Medical Center, Doan Hall
Columbus, Ohio
Lighting: **RS01704 - INFRALITE® 60**
Also shown: **RR90722 - ShatterGuard Downlights**

Features:

- Lights are fully recessed, providing an unobstructed ceiling with regressed smooth trim design which complements room decor and enables quick, effective housekeeping.
- 60° illumination delivers light at low angle for superior birthing canal illumination, eliminating the need for portable or drop down ceiling lights.
- Patented lighting system provides instantaneous, precise direction and intensity of light. Both remote and wall controls are single-handed use with convenient tactile membrane switches.
- Dichroic (cold mirrored) reflectors transmit 70% less heat, assuring patient and clinician comfort.
- Two lamps in each fixture, with two fixtures per system, provide intensities up to 7800 fcs with shadowless, uniform pattern.
- 100 CRI tungsten halogen lamps yield accurate color rendering of tissue for accurate diagnosis.
- All service is through the light aperture and all components are modular for fast and simple service. Relamping is quick and easy.

THE KIRLIN COMPANY

3401 East Jefferson Avenue • Detroit, MI 48207-4232
313-259-6400 • FAX 313-259-3121 • info@kirlinlighting.com • www.kirlinlighting.com

Recessed Motorized Procedural Lights

For more information, including specification sheets and photometry, on these and all other Kirlin products, please visit www.kirlinlighting.com or call your local Kirlin Sales Representative for the **Healthcare Facility & Patient Lighting catalog (03HC)**.

INFRALITE® DX



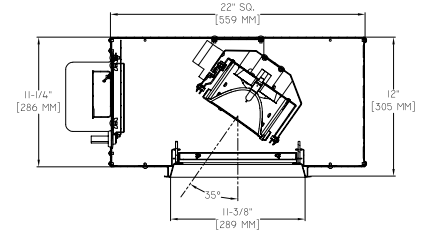
Features (per luminaire)

- Tilt up to 35°
- 360° horizontal adjustability
- 250W 22 volt TH DCB T4 lamp
- Cold mirrored reflector
- RR01200 - two luminaire system
- RR01201 - one luminaire system

Performance

25,600 fcs/pair
Ceiling height: 8 ft
Luminaire spacing: 4 ft

Dimensions

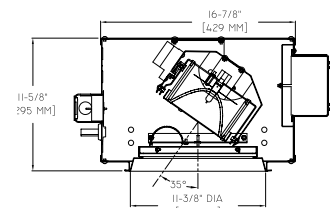


INFRALITE®

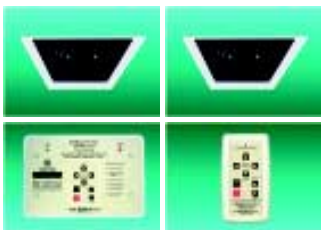


- Tilt up to 35°
- 360° horizontal adjustability
- 150W 22 volt TH DCB T4 lamp
- Cold mirrored reflector
- RR01202 - two luminaire system
- RR01203 - one luminaire system

18,100 fcs/pair
Ceiling height: 8 ft
Luminaire spacing: 4 ft

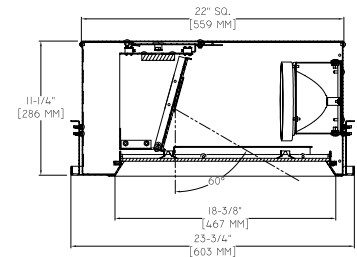


INFRALITE® 60



- Tilt up to 60° (ideal for LDRs)
- 45° horizontal adjustability
- 2-150W 22 volt TH DCB T4 lamps
- 2 cold mirrored reflectors
- RS01704 - two luminaire system

7800 fcs/pair
Ceiling height: 8 ft
Setback from target: 6 ft
Luminaire spacing: 4 ft

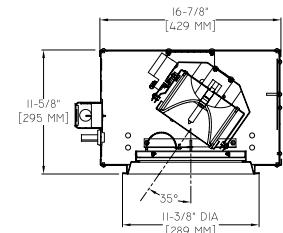


OPTILITE™



- Tilt up to 35°
- 360° horizontal adjustability
- 150W 120 volt TH DCB T4 lamp
- Cold mirrored reflector
- RR01206 - two luminaire system
- RR01207 - one luminaire system
- RR01208 - one luminaire system (linear sweep)

4900 fcs/pair
Ceiling height: 8 ft
Luminaire spacing: 4 ft

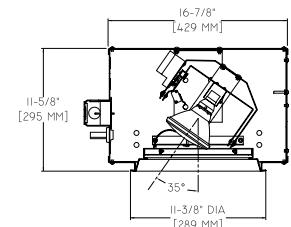


SPOTLITE™



- Tilt up to 35°
- 360° horizontal adjustability
- 250W 120 volt TH PAR38 lamp
- RR01209 - two luminaire system
- RR01210 - one luminaire system
- RR01211 - one luminaire system (linear sweep)

3300 fcs/pair
Ceiling height: 8 ft
Luminaire spacing: 4 ft



THE KIRLIN COMPANY

3401 East Jefferson Avenue • Detroit, MI 48207-4232
313-259-6400 • FAX 313-259-3121 • info@kirlinlighting.com • www.kirlinlighting.com

FEATURES • BENEFITS • APPLICATIONS

INFRALITE® 60

Infrared Remote Controlled Directional Recessed Lighting
The Practitioner Controlled Adjustable Patient Lighting System

Catalog # RS01704

Patient Lighting System consisting of:

- Two recessed luminaires
- One remote control
- One wall control panel

Catalog # RS01705

Patient Lighting System consisting of:

- One recessed luminaire
- One remote control
- One wall control panel

Ideal Applications (partial listing)

Birthing Suite , OB / GYN
ICU / NICU / CCU
Laser & Outpatient Surgery
ER , Cardiac Cath Lab

Minimally Invasive Surgery
Podiatry
Cranial / Head
Surgical Prep & Recovery

FEATURES

- Luminaire(s) fully recessed into ceiling. Smooth surface. White trim. Trapezoid shape with integral 2' x 2' lay-in ceiling pan
- High angle tilt, 60° from nadir with 45° horizontal adjustability
- Practitioner controls directionality and brightness with either remote or wall control. System is fully controlled from either control unit
- 12 volt (maximum) wall control. 9 volt (maximum) remote control
- Each luminaire is controlled independently in two-luminaire lighting system. May be focused on one point or two. (#RS01704)
- Infrared remote control
- Built-in isolation transformer

BENEFITS

- Unobstrusive. Clean. Contamination-detering. No overhead or floor hazard. No obstruction of sterile field or laminar air flow. Harmonizes with room decor
- Wide range of precise adjustability exactly where illumination is needed. Ideal for body cavity illumination for OB / GYN, urology, internal medicine, podiatry and cranial procedures
- Convenient. Permits adjustability at anytime from a choice of two control sources. No loss of use of system if remote control is lost or inoperable
- Safety provided from low voltage system
- Maximum flexibility for any lighting need. Permits concurrent multiple site illumination and 2 team procedures. Double protection against total lamp failure
- Emits unique frequency to avoid interfering with other infrared emitting equipment. No physical movement of practitioner is required when adjusting the light at any time
- Safety in use. Eliminate shock hazard.

FEATURES • BENEFITS • APPLICATIONS

INFRALITE® 60 . . . continued

FEATURES

- Instantaneous movement / halt. No drift in position
- 2-150 watt tungsten halogen lamps included per luminaire
- Custom designed cold-mirrored glass reflector
- Two luminaire system (#RS01704)
- Tactile membrane key pads on both control units
- Designated magnetic storage strip on wall control panel for the remote control
- Timed beeper on remote control activated if remote control is not used for, nor returned to wall control panel within 1 hour
- Low battery warning system for remote control
- Fully equipped lighting system shipped complete from Kirlin
- Lightweight 58 pounds luminaire(s)
- Plug-in modular electrical components
- Kirlin luminaire design
- **Three year limited warranty: entire lighting system (1 year warranty: remote control; lamps excluded)**

BENEFITS

- Responsive; accurate. Stable position of light is maintained throughout use
- Pure white light (100 CRI) and long life provides accurate color rendition of tissue for hundreds of procedures. Powerful light output permits luminaire location farther from patient enabling high angle illumination
- Controls a narrow beam of light for precise illumination. Removes 90% of heat from beam providing cool comfort for both practitioner and patient
- Provides shadow-free illumination
- Easy to use even in low light conditions. Easy to clean
- Convenient nearby site for storage. Prevents loss of remote control.
- Prevents loss of remote control.
- Uninterrupted use of remote control since battery may be replaced before end of life
- Every part of the lighting system is provided by Kirlin, including battery for the remote control, lamps, 2' x 2' ceiling pan, step-down isolation transformer, 35' plenum-rated cable, and mounting hardware, thus enabling immediate installation and use
- Installs easily in any 2 x grid ceiling by any qualified electrician, per NEC. Factory representative need not be present. System is quickly operational
- Simplifies installation and servicing
- Completely serviceable through the luminaire opening. 100% aluminum housing dissipates heat across entire surface area resulting in cool operation, longer life of all components, and reduced air conditioning costs for the facility
- **Assurance of quality and service. Backed by an independent company dedicated to lighting innovation for over a century**

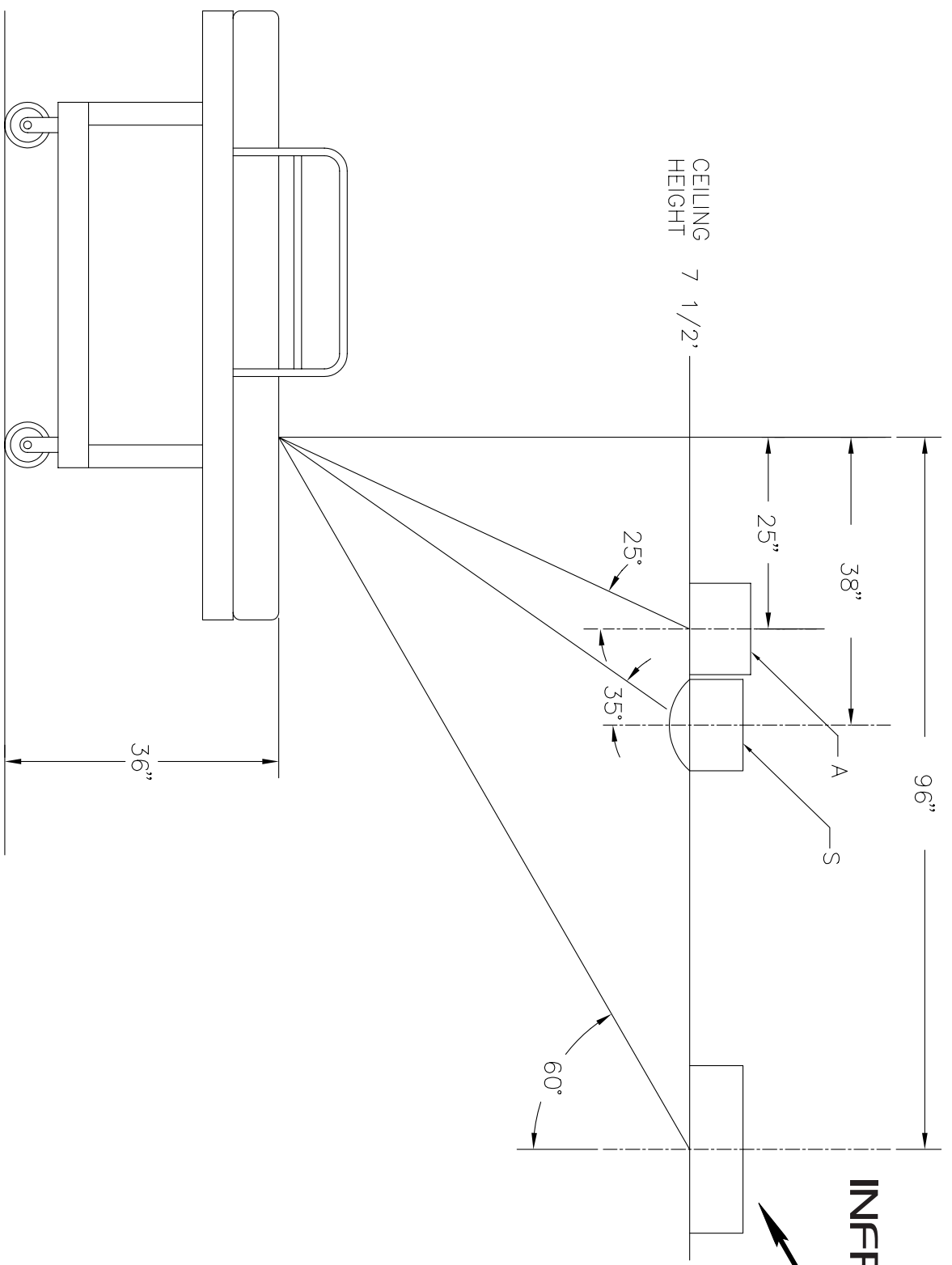
DUE TO OUR CONTINUING EFFORT TO IMPROVE PRODUCTS, TECHNICAL INFORMATION IS SUBJECT TO CHANGE WITHOUT NOTICE

THE KIRLIN COMPANY

3401 EAST JEFFERSON AVENUE • DETROIT, MI 48207-4232
313-259-6400 • FAX: 313-259-3121 or 313-259-9409 • www.kirlinlighting.com

PATENT PROTECTED

KIRLIN
INFRA-LITE® 60



TYPICAL INSTALLATION COMPARISON
SIDE VIEW